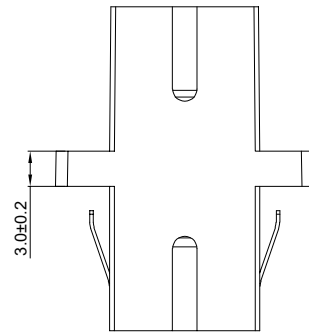
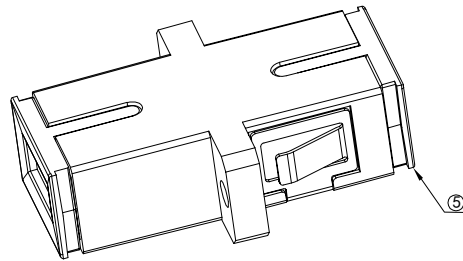
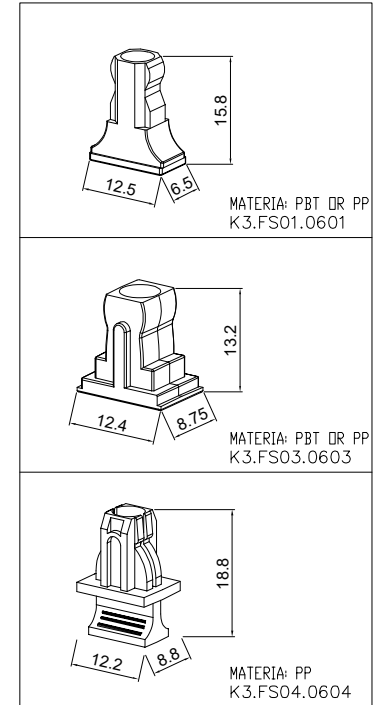
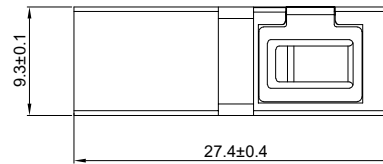
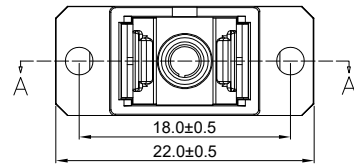


| No. | PART NAME     | QTY | MATERIAL |
|-----|---------------|-----|----------|
| 1   | HOUSING       | 1   | PC/ABS   |
| 2   | SLEEVE HOLDER | 1   | PBT      |
| 3   | SLEEVE        | 1   | ZIRCONIA |
| 4   | CLIP          | 1   | SUS304   |
| 5   | CAPS(FS03)    | 2   | PBT      |



SECTION A-A

OPTIONAL ATTACHMENT

- TECHNICAL REQUIREMENT:
- 1.COMPLIES WITH IEC 61754-4 AND TIA-604-3
  - 2.COMPLIES WITH IEC-60874-14-3 AND IEC-60874-14-4
  - 3.COMPLIES WITH IEC 61753-1 CATEGORY (C)
  - 4.COMPLIES WITH ROHS, REACH REQUIREMENTS

NOTES  
1.ALL DIMENSIONS WITHOUT TOLERANCE ARE FOR REFERENCE ONLY.

2.DUST CAPS ARE SHOWN IN ISOMETRIC VIEWS ONLY.

|  |         |                        |                  |
|--|---------|------------------------|------------------|
| DIMENSION UNITS                                      | SCALE   | CURRENT REV DESC:      |                  |
| MM   | 1:1     |                        |                  |
| GENERAL TOLERANCES (UNLESS SPECIFIED)                |         |                        |                  |
| ANGULAR TOL ± °                                      |         |                        |                  |
| X  | ± 0.2   | DRWN: JHK              | 2024/05/12       |
| X.X  | ± 0.1   | CHK'D: CHENEY          | 2024/05/13       |
| X.XX   | ± 0.05  | APPR: JACK             | 2024/12/03       |
| X.XXX  | ± 0.003 | INITIAL REVISION:      |                  |
| X°   | ± 2°    | DRWN: CHENEY           | 2022/04/01       |
| X.X°   | ± 1°    | APPR: JACK             | 2022/04/27       |
| DRAFT WHERE APPLICABLE MUST REMAIN WITHIN DIMENSIONS |         | THIRD ANGLE PROJECTION | DRAWING CUSTOMER |
|  |         |                        | A-SIZE 0114      |



SC SIMPLEX ADAPTER-WITH FLANGE (INTEGRATED)

PRODUCT DRAWING

|                 |                |              |           |
|-----------------|----------------|--------------|-----------|
| DOCUMENT NUMBER | DOC TYPE       | DOC PART     | DREVISION |
| K2.SC1011.0114  | PDF            | A001         | A/2       |
| MATERIAL NUMBER | CUSTOMER       | SHEET NUMBER |           |
| SEE TABLE       | GENERAL MARKET | 1 OF 1       |           |