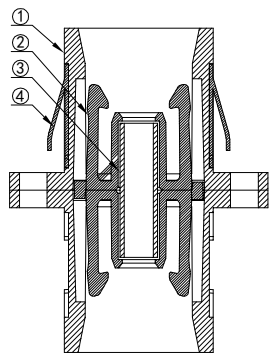
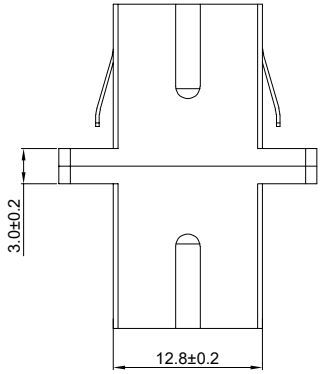
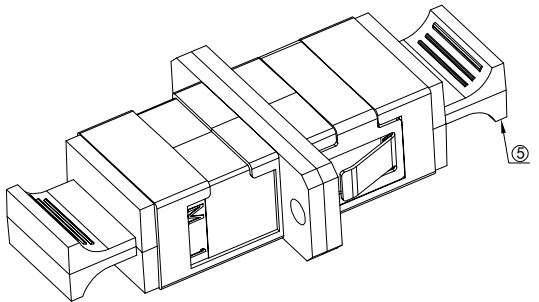
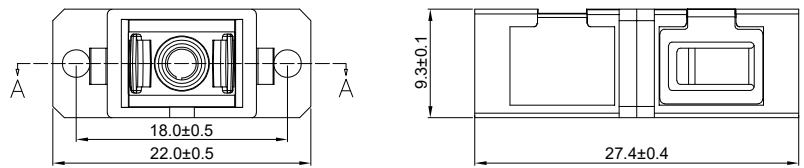
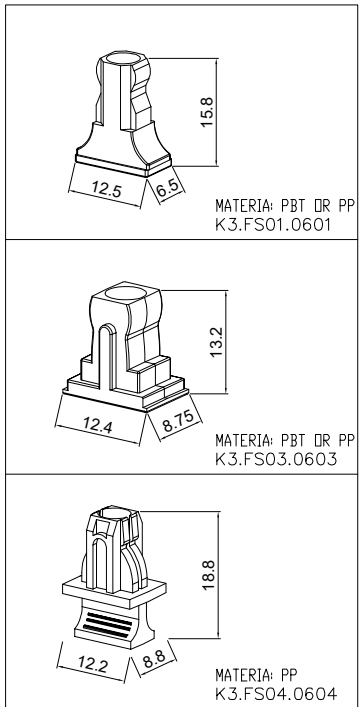


No.	PART NAME	QTY	MATERIAL
1	HOUSING	2	PC/ABS
2	SLEEVE HOLDER	2	PBT
3	SLEEVE	1	ZIRCONIA
4	CLIP	1	SUS304
5	CAPS(FS04)	2	PP



SECTION A-A

OPTIONAL ATTACHMENT

TECHNICAL REQUIREMENT:
 1.COMPLIES WITH IEC 61754-4 AND TIA-604-3
 2.COMPLIES WITH IEC-60874-14-3 AND IEC-60874-14-4
 3.COMPLIES WITH IEC 61753-1 CATEGORY (C)
 4.COMPLIES WITH ROHS, REACH REQUIREMENTS

NOTES
 1.ALL DIMENSIONS WITHOUT TOLERANCE ARE FOR REFERENCE ONLY.
 2.JUST CAPS ARE SHOWN IN ISOMETRIC VIEWS ONLY.

DIMENSION UNITS MM	SCALE 1:1	CURRENT REV DESC:	
GENERAL TOLERANCES (UNLESS SPECIFIED)		DRWN: JHK 2024/05/25	
ANGULAR TOL ± °		CHK'D: CHENEY 2024/05/26	
X	± 0.2	APPR: JACK 2024/06/03	
X.X	± 0.1	INITIAL REVISION:	
X.XX	± 0.05	DRWN: CHENEY 2012/03/11	
X.XXX	± 0.003	APPR: JACK 2011/03/26	
X°	± 2°	DRAFT WHERE APPLICABLE MUST REMAIN WITHIN DIMENSIONS	
X.X°	± 1°	THIRD ANGLE PROJECTION	
		DRAWING A-SIZE	CUSTOMER 0010



SC SIMPLEX ADAPTER-WITH FLANGE (WELDING)

PRODUCT DRAWING

DOCUMENT NUMBER	DOC TYPE	DOC PART	DREVISION
K2.SC1021.0010	PDF	M001	A/2
MATERIAL NUMBER	CUSTOMER	SHEET NUMBER	
SEE TABLE	GENERAL MARKET	1 OF 1	