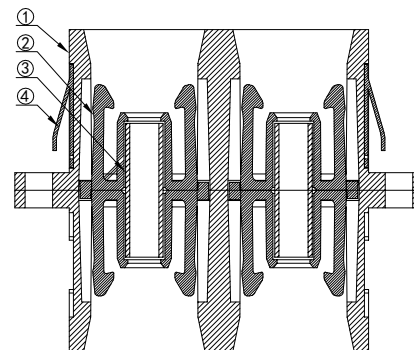
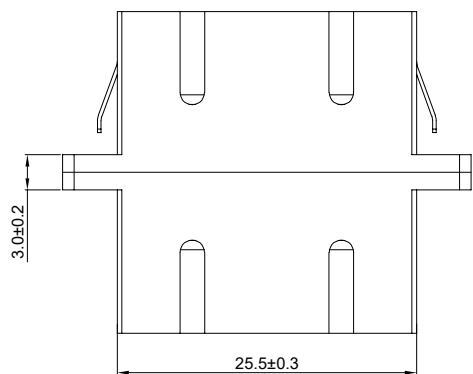
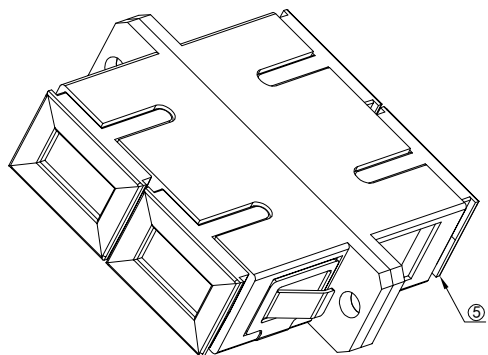
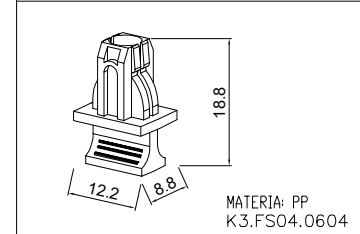
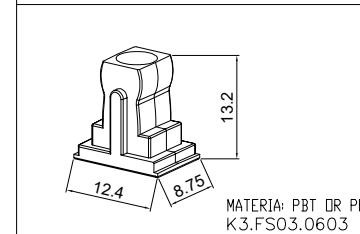
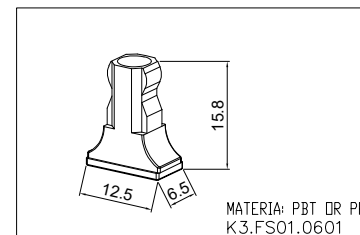
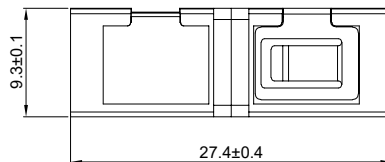
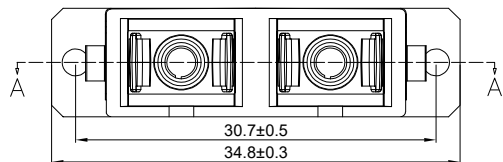


No.	PART NAME	QTY	MATERIAL
1	HOUSING	2	PC/ABS
2	SLEEVE HOLDER	4	PBT
3	SLEEVE	2	ZIRCONIA
4	CLIP	1	SUS304
5	CAPS	4	PP



SECTION A-A

OPTIONAL ATTACHMENT

- TECHNICAL REQUIREMENT:
 1.COMPLIES WITH IEC 61754-4 AND TIA-604-3
 2.COMPLIES WITH IEC 60874-19-2 AND 60874-19-3
 3.COMPLIES WITH IEC 61753-1 CATEGORY (C)
 4.COMPLIES WITH ROHS, REACH REQUIREMENTS

- NOTES
 1.ALL DIMENSIONS WITHOUT TOLERANCE ARE FOR REFERENCE ONLY.
 2.JUST CAPS ARE SHOWN IN ISOMETRIC VIEWS ONLY.

DIMENSION UNITS	SCALE	CURRENT REV DESC:	
MM	1:1		
GENERAL TOLERANCES (UNLESS SPECIFIED)			
ANGULAR TOL ± °			
X	± 0.2	DRWN: JHK	2024/04/23
X.X	± 0.1	CHK'D: CHENEY	2024/04/25
X.XX	± 0.05	APPR: JACK	2024/11/27
X.XXX	± 0.003	INITIAL REVISION:	
X°	± 2°	DRWN: CHENEY	2012/03/15
X.X°	± 1°	APPR: JACK	2012/03/30
DRAFT WHERE APPLICABLE MUST REMAIN WITHIN DIMENSIONS		THIRD ANGLE PROJECTION	DRAWING CUSTOMER
			A-SIZE 0050



SC DUPLEX ADAPTER-WITH FLANGE (WELDING)

PRODUCT DRAWING

DOCUMENT NUMBER	DOC TYPE	DOC PART	DREVISION
K2.SC2021.0050	PDF	M001	A/2

MATERIAL NUMBER	CUSTOMER	SHEET NUMBER
SEE TABLE	GENERAL MARKET	1 OF 1