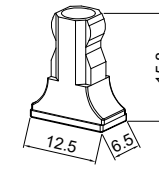
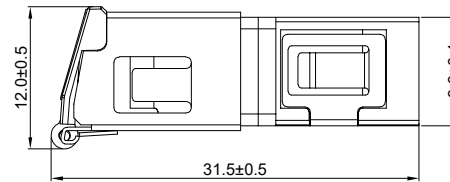
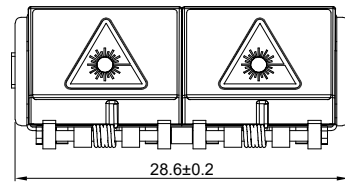
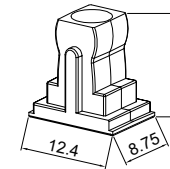


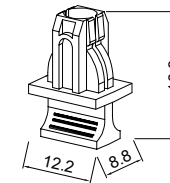
| No. | PART NAME | QTY | MATERIAL |
|-----|---------------------|-----|--------------|
| 1 | METAL FRAME | 1 | SUS304 |
| 2 | LASER WARNING LABEL | 2 | COATED PAPER |
| 3 | SHUTTER | 2 | PC/ABS |
| 4 | SPRING PIN | 2 | SUS304 |
| 5 | TORSION SPRING | 2 | SUS304 |
| 6 | CAPS | 2 | PP |
| 7 | CLIP | 1 | SUS304 |
| 8 | HOUSING | 2 | PC/ABS |
| 9 | SLEEVE HOLDER | 4 | PBT |
| 10 | SLEEVE | 2 | ZIRCONIA |



MATERIA: PBT OR PP
K3.FS01.0601

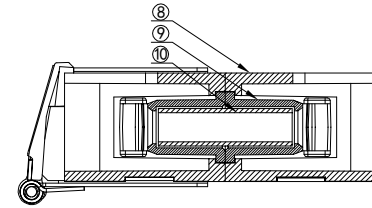
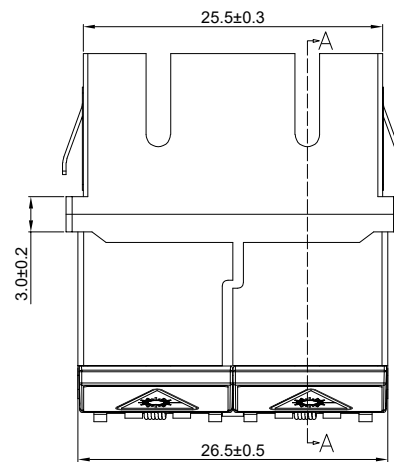


MATERIA: PBT OR PP
K3.FS03.0603

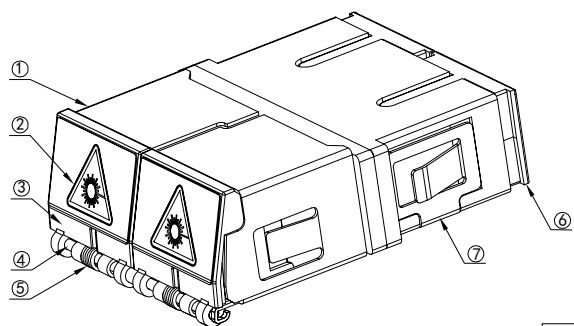


MATERIA: PP
K3.FS04.0604

OPTIONAL ATTACHMENT



SECTION A-A



- TECHNICAL REQUIREMENT:
- 1.FLIP ENSURES PROTECTION AGAINST LASER RADIATION
 - 2.COMPLIES WITH IEC 61754-4 AND TIA-604-3
 - 3.COMPLIES WITH IEC 60874-19-2 AND 60874-19-3
 - 4.COMPLIES WITH IEC 61753-1 CATEGORY (C)
 - 5.COMPLIES WITH ROHS, REACH REQUIREMENTS

NOTES
1.ALL DIMENSIONS WITHOUT TOLERANCE ARE FOR REFERENCE ONLY.
2.DUST CAPS ARE SHOWN IN ISOMETRIC VIEWS ONLY.

| | | | |
|--|---------|------------------------|----------------|
| DIMENSION UNITS | SCALE | CURRENT REV DESC: | |
| MM | 1:1 | | |
| GENERAL TOLERANCES (UNLESS SPECIFIED) | | | |
| ANGULAR TOL ± ° | | | |
| X | ± 0.2 | DRWN: JHK | 2024/04/23 |
| X.X | ± 0.1 | CHK'D: CHENEY | 2024/04/25 |
| X.XX | ± 0.05 | APPR: JACK | 2024/05/30 |
| X.XXX | ± 0.003 | INITIAL REVISION: | |
| X° | ± 2° | DRWN: CHENEY | 2012/03/15 |
| X.X° | ± 1° | APPR: JACK | 2012/03/30 |
| DRAFT WHERE APPLICABLE MUST REMAIN WITHIN DIMENSIONS | | THIRD ANGLE PROJECTION | DRAWING A-SIZE |
| | | CUSTOMER 00601 | |



SC DUPLEX ADAPTER-WITHOUT FLANGE (METAL FRAME SHUTTER)

PRODUCT DRAWING

| | | | |
|------------------|----------------|--------------|-----------|
| DOCUMENT NUMBER | DOC TYPE | DOC PART | DREVISION |
| K2.SC2JF21.00601 | PDF | M001 | A/2 |
| MATERIAL NUMBER | CUSTOMER | SHEET NUMBER | |
| SEE TABLE | GENERAL MARKET | 1 OF 1 | |