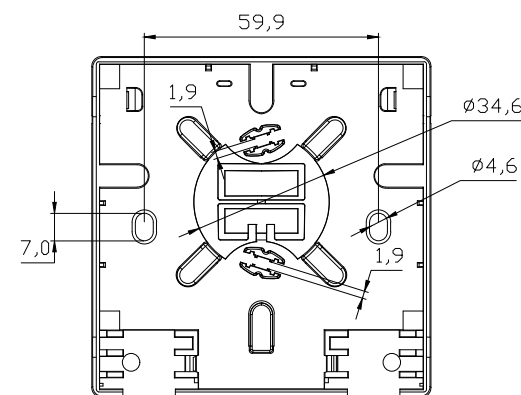
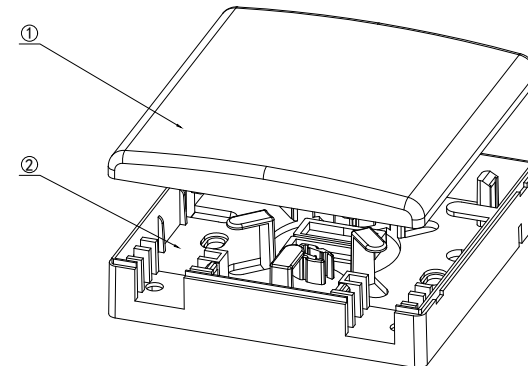
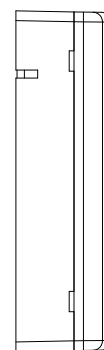
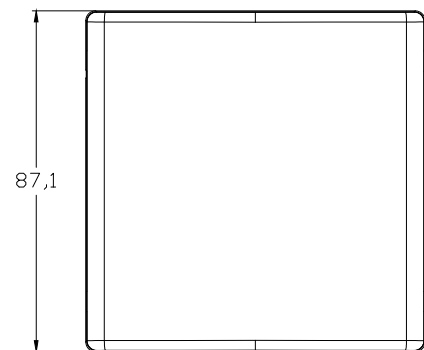
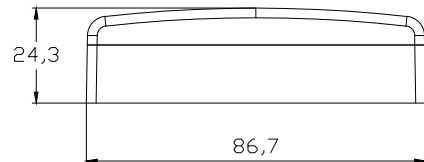
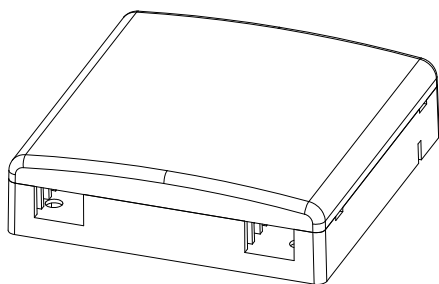


No.	PART NAME	QTY	MATERIAL
1	TOP COVER	1	PC/ABS
2	BASE CHASSIS	1	PC/ABS



BASE CHASSIS



TECHNICAL REQUIREMENTS

1. COMPLIES WITH TELCORDIA GR-771 & IEC 61753-1
2. ENCLOSURE RATING: IP30J PER IEC 60529
3. FLAMMABILITY RATING: UL 94 V-0
4. COMPLIES WITH ROHS, REACH

NOTES:

1. ALL DIMENSIONS WITHOUT TOLERANCE ARE FOR REFERENCE ONLY.
2. STRUCTURAL VIEW ONLY. ACCESSORIES NOT SHOWN (e.g. adapters, splitters, kits).
3. GROUND TERMINAL MUST BE BONDED TO EARTH.
4. MATERIALS: PC/ABS (UL 94 V-0) & STAINLESS STEEL 304 (UDS).

DIMENSION UNITS	SCALE
MM	1:1
GENERAL TOLERANCES (UNLESS SPECIFIED)	
ANGULAR TOL	± °
X	± 0.2
X.X	± 0.1
X.XX	± 0.05
X.XXX	± 0.003
X°	± 2°
X.X°	± 1°
DRAFT WHERE APPLICABLE MUST REMAIN WITHIN DIMENSIONS	

CURRENT REV DESC:

DRWN: JHK 2024/03/15  
 CHK'D: CHENEY 2024/04/26  
 APPR: JACK 2024/04/27

INITIAL REVISION:

DRWN: CHENEY 2023/10/25  
 APPR: JACK 2023/10/26

THIRD ANGLE PROJECTION

DRAWING  
C-SIZE

CUSTOMER  
2086



INDOOR 2-PORT SC/LC SIMPLEX  
 SPLICING & PATCHING BOX (86 TYPE)

PRODUCT DRAWING

DOCUMENT NUMBER	DOC TYPE	DOC PART	DREVISION
FT-D-2-J-2086	PDF	001	A/1
MATERIAL NUMBER	CUSTOMER	SHEET NUMBER	
SEE TABLE		1 OF 1	