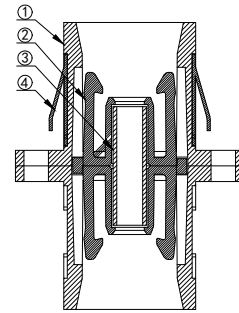
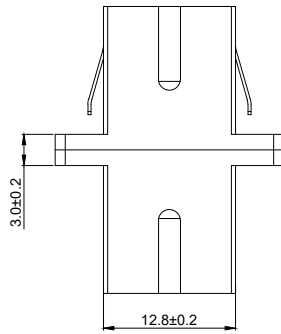
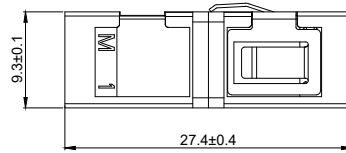
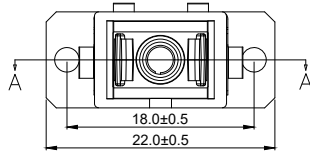
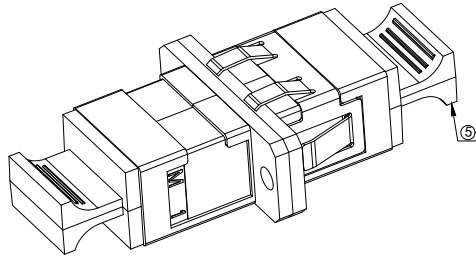
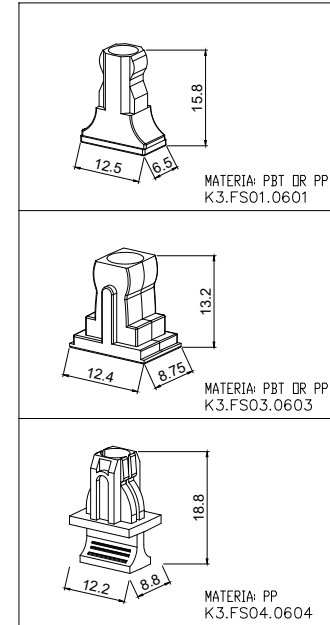


No.	PART NAME	QTY	MATERIAL
1	HOUSING	2	PC/ABS
2	SLEEVE HOLDER	2	PBT
3	SLEEVE	1	ZIRCONIA
4	CLIP	1	SUS304
5	CAPS(FS04)	2	PP



SECTION A-A



OPTIONAL ATTACHMENT

- TECHNICAL REQUIREMENT:
- 1.COMPLIES WITH IEC 61754-4 AND TIA-604-3
 - 2.COMPLIES WITH IEC-60874-14-3 AND IEC-60874-14-4
 - 3.COMPLIES WITH IEC 61753-1 CATEGORY (C)
 - 4.COMPLIES WITH ROHS, REACH REQUIREMENTS

NOTES
 1.ALL DIMENSIONS WITHOUT TOLERANCE ARE FOR REFERENCE ONLY.
 2.DUST CAPS ARE SHOWN IN ISOMETRIC VIEWS ONLY.

DIMENSION UNITS		SCALE	CURRENT REV DESC:	
MM		1:1		
GENERAL TOLERANCES (UNLESS SPECIFIED)				
ANGULAR TOL ± °				
X	± 0.2	DRWN: JHK	2024/05/25	
X.X	± 0.1	CHK'D: CHENEY	2024/05/26	
X.XX	± 0.05	APPR: JACK	2024/06/03	
X.XXX	± 0.003	INITIAL REVISION:		
X°	± 2°	DRWN: CHENEY	2012/03/11	
X.X°	± 1°	APPR: JACK	2011/03/26	
DRAFT WHERE APPLICABLE MUST REMAIN WITHIN DIMENSIONS		THIRD ANGLE PROJECTION	DRAWING	CUSTOMER
			A-SIZE	0010



SC SIMPLEX ADAPTER-WITH FLANGE (WELDING)

PRODUCT DRAWING

DOCUMENT NUMBER	DOC TYPE	DOC PART	REVISION
K2-SC1021.0010.T3.221	PDF	M001	A/2
MATERIAL NUMBER	CUSTOMER	SHEET NUMBER	
SEE TABLE	GENERAL MARKET	1 OF 1	