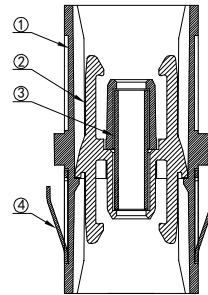
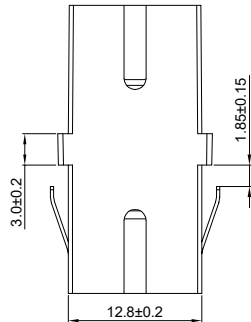
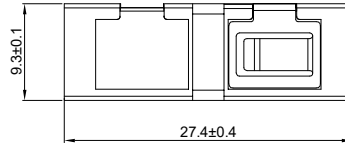
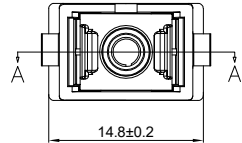
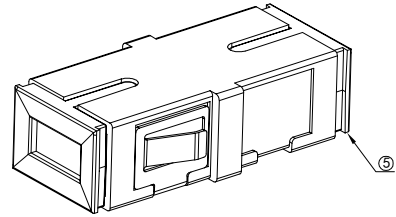
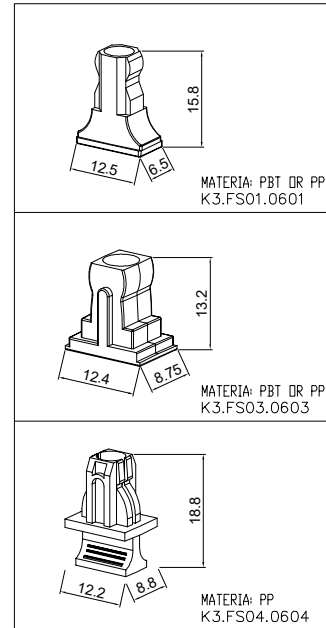


No.	PART NAME	QTY	MATERIAL
1	HOUSING	1	PC/ABS
2	SLEEVE HOLDER	1	PBT
3	SLEEVE	1	ZIRCONIA
4	CLIP	1	SUS304
5	CAPS(FS03)	2	PBT



SECTION A-A



OPTIONAL ATTACHMENT

- TECHNICAL REQUIREMENT:
- 1.COMPLIES WITH IEC 61754-4 AND TIA-604-3
  - 2.COMPLIES WITH IEC-60874-14-3 AND IEC-60874-14-4
  - 3.COMPLIES WITH IEC 61753-1 CATEGORY (C)
  - 4.COMPLIES WITH ROHS, REACH REQUIREMENTS

NOTES  
 1.ALL DIMENSIONS WITHOUT TOLERANCE ARE FOR REFERENCE ONLY.  
 2.DUST CAPS ARE SHOWN IN ISOMETRIC VIEWS ONLY.

DIMENSION UNITS MM	SCALE 1:1	CURRENT REV DESC:						
GENERAL TOLERANCES (UNLESS SPECIFIED) ANGULAR TOL ± °		DRWN: JHK 2024/05/12 CHK'D: CHENEY 2024/05/13 APPR: JACK 2024/12/03						SC SIMPLEX ADAPTER-WITHOUT FLANGE-(INTEGRATED)
X	± 0.2	INITIAL REVISION:		PRODUCT DRAWING				
X.X	± 0.1	DRWN: CHENEY 2022/04/01 APPR: JACK 2022/04/27		DOCUMENT NUMBER 1010-0027		DOC TYPE PDF	DOC PART A001	DREVISION A/2
X.XX	± 0.05	THIRD ANGLE PROJECTION		MATERIAL NUMBER SEE TABLE	CUSTOMER GENERAL MARKET		SHEET NUMBER 1 OF 1	
X.XXX	± 0.003	DRAWING A-SIZE		CUSTOMER 0027				
X°	± 2°	DRAFT WHERE APPLICABLE MUST REMAIN WITHIN DIMENSIONS						
X.X°	± 1°							