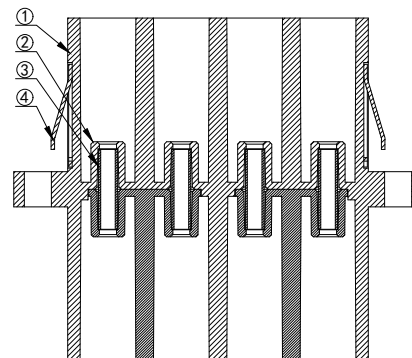
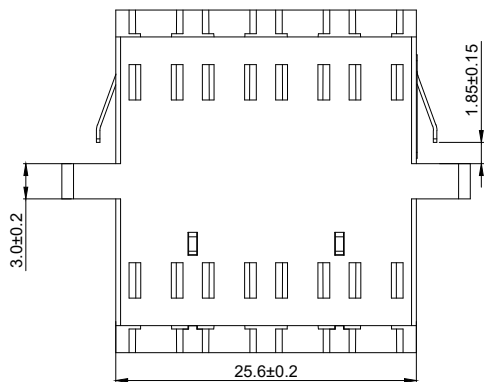
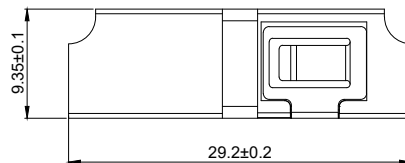
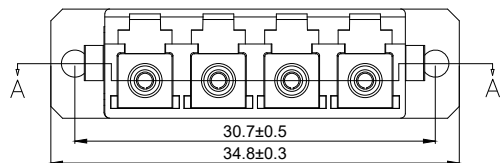
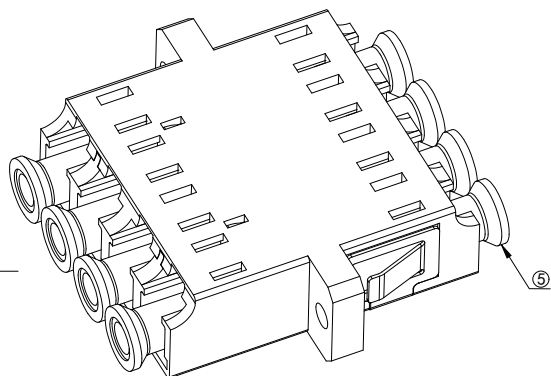


No.	PART NAME	QTY	MATERIAL
1	HOUSING	1	PC/ABS
2	SLEEVE HOLDER	2	PC/ABS
3	SLEEVE	4	ZIRCONIA
4	CLIP	1	SUS304
5	CAPS(FL01)	8	PP



SECTION A-A



	MATERIA: PP K3.FL01.0606
	MATERIA: TPEE K3.FL02.0616
	MATERIA: TPE DR TPV K3.FL03.0607
	MATERIA: TPEE K3.FL05.0608

OPTIONAL ATTACHMENT

TECHNICAL REQUIREMENT :

- 1.COMPLIES WITH IEC 61754-20 AND TIA-604-10 STANDARDS
- 2.COMPLIES WITH IEC 61753-1 CATEGORY (C)
- 3.COMPLIES WITH ROHS , REACH REQUIREMENTS

NOTES
1.ALL DIMENSIONS WITHOUT TOLERANCE ARE FOR REFERENCE ONLY.

2.DUST CAPS ARE SHOWN IN ISOMETRIC VIEWS ONLY.

DIMENSION UNITS	SCALE	CURRENT REV DESC:	
MM	1:1		
GENERAL TOLERANCES (UNLESS SPECIFIED)			
ANGULAR TOL ± °			
X	± 0.2	DRWN: JHK	2024/05/12
X.X	± 0.1	CHK'D: CHENEY	2024/08/20
X.XX	± 0.05	APPR: JACK	2024/12/27
X.XXX	± 0.003	INITIAL REVISION:	
X°	± 2°	DRWN: CHENEY	2015/05/12
X.X°	± 1°	APPR: JACK	2015/05/19
DRAFT WHERE APPLICABLE MUST REMAIN WITHIN DIMENSIONS		THIRD ANGLE PROJECTION	DRAWING CUSTOMER
			A-SIZE 0164



LC QUAD ADAPTER-WITH FLANGE-(SYMMETRICAL)-(INTEGRATED)

PRODUCT DRAWING

DOCUMENT NUMBER	DOC TYPE	DOC PART	DREVISION
401YD1.01.0164	PDF	A001	A/2
MATERIAL NUMBER	CUSTOMER	SHEET NUMBER	
SEE TABLE	GENERAL MARKET	1 OF 1	