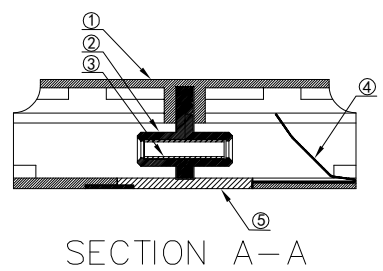
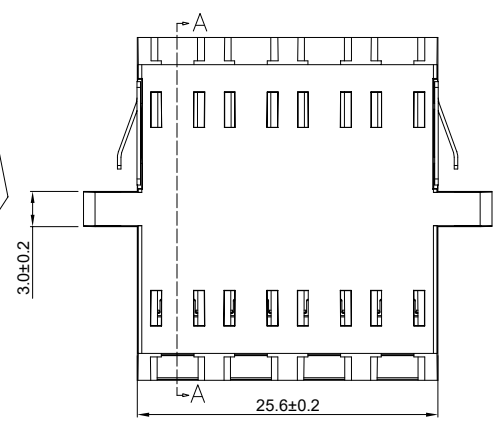
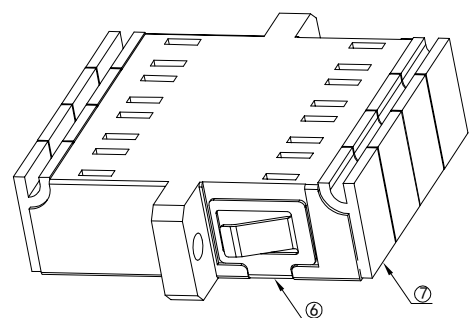
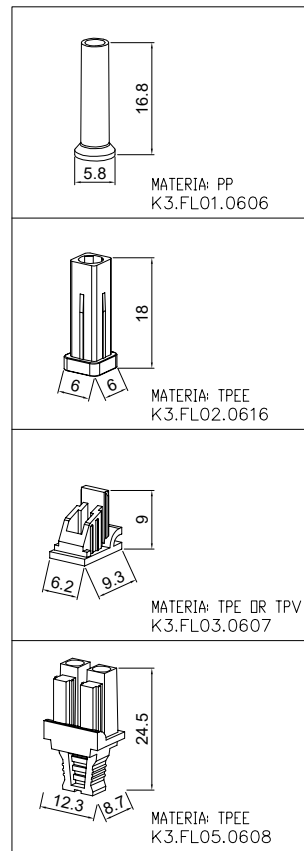
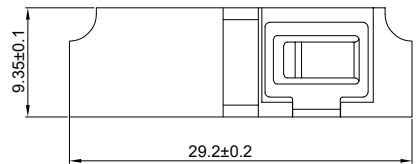
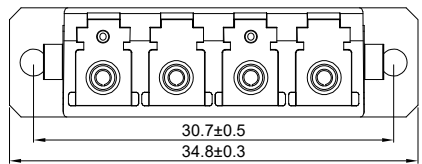


No.	PART NAME	QTY	MATERIAL
1	HOUSING	1	PC/ABS
2	SLEEVE HOLDER	4	PC
3	SLEEVE	4	ZIRCONIA
4	SHUTTER	4	COPPER
5	BOTTOM CAP	2	PC/ABS
6	CLIP	1	SUS304
7	CAPS(FLO3)	8	TPE



TECHNICAL REQUIREMENT :
 INTERNAL SHUTTERS FOR ADAPTERS TO SHIELD POTENTIALLY HARMFUL LIGHT
 1.COMPLIES WITH IEC 61754-20 AND TIA-604-10 STANDARDS
 2.COMPLIES WITH IEC 61753-1 CATEGORY (C)
 3.COMPLIES WITH ROHS , REACH REQUIREMENTS

OPTIONAL ATTACHMENT

NOTES
 1.ALL DIMENSIONS WITHOUT TOLERANCE ARE FOR REFERENCE ONLY.
 2.DUST CAPS ARE SHOWN IN ISOMETRIC VIEWS ONLY.

DIMENSION UNITS	SCALE	CURRENT REV DESC:	
MM	1:1		
GENERAL TOLERANCES (UNLESS SPECIFIED)			
ANGULAR TOL ± °			
X	± 0.2	DRWN: JHK	2024/01/12
X.X	± 0.1	CHK'D: CHENEY	2024/01/20
X.XX	± 0.05	APPR: JACK	2024/12/24
X.XXX	± 0.003	INITIAL REVISION:	
X°	± 2°	DRWN: CHENEY	2011/01/12
X.X°	± 1°	APPR: JACK	2011/02/24
DRAFT WHERE APPLICABLE MUST REMAIN WITHIN DIMENSIONS		THIRD ANGLE PROJECTION	DRAWING A-SIZE
		CUSTOMER 01603	



LC QUAD ADAPTER-WITH FLANGE (INTEGRATED)-(INNER SHUTTER)

PRODUCT DRAWING

DOCUMENT NUMBER	DOC TYPE	DOC PART	DREVISION
K2.LC.4DG4YD101.01603	PDF	A001	A/2
MATERIAL NUMBER	CUSTOMER	SHEET NUMBER	
SEE TABLE	GENERAL MARKET	1 OF 1	